



Water4 Dairy

OZONE WATER SYSTEMS

Legacy II-ss60mhv

Ozone Water Treatment Technology



Raising the bar
in dairy water
treatment
performance



Water4 Dairy
OZONE WATER SYSTEMS

web: www.water4dairy.com

email: info@water4dairy.com

phone: 780-999-1906

Benefits and Specifications

Legacy II-ss60mhv

Product Information and Specifications

- On board 93% +/- 3% - 30 scfh (14 lpm) @ 10 psig oxygen concentrator
- Ozone output 60.0 grams per hour @ 30 scfh 5.0% concentration by weight
- System information and diagnostics (sid) lcd display
- Self resonating ozone generation reaction chamber
- CSA certified time delay enclosure and control panel
- 2 -120 gal mass transfer micro-bubbling contact tank
- Available in 0 - 45 gpm flow rates
- Adjustable mazzie manifold with pre/post pressure gauges
- Schd 80 plumbing
- Ozone destruct unit with j valve
- 2 hp stainless Gould recirculation booster pump

System customized to your dairy's infrastructure

- Water is treated when you need it
- Reduces system footprint due to no onsite water storage requirements
- System plugs into your existing water infrastructure minimizing onsite installation costs

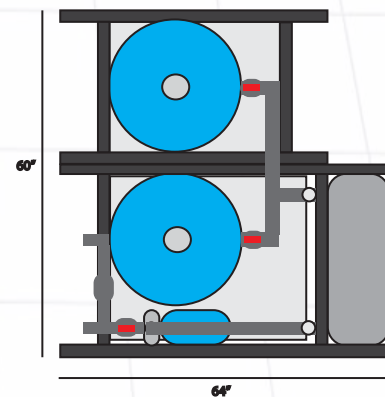
Water4Dairy

OZONE WATER SYSTEMS



Optimizing your dairy's productivity

- Improve milk production & butterfat content
- Stabilize water quality to your herd
- Improve animal and overall herd health due to better hydration
- Improve performance from water related dairy equipment and infrastructure such as water lines and robots
- No ongoing chemical costs



Service Requirements (Legacy II ss-60mhv)

	Service Requirements	Unit width		Length		Height	
		Standard	Metric	Standard	Metric	Standard	Metric
Electrical	230V / 20A	Standard	Metric	Standard	Metric	Standard	Metric
Water	0 - 45 gpm max	60inch	150cm	64inch	160cm	80inch	200cm
Ozone	60 grams/hour @ 30 scfh oxygen						